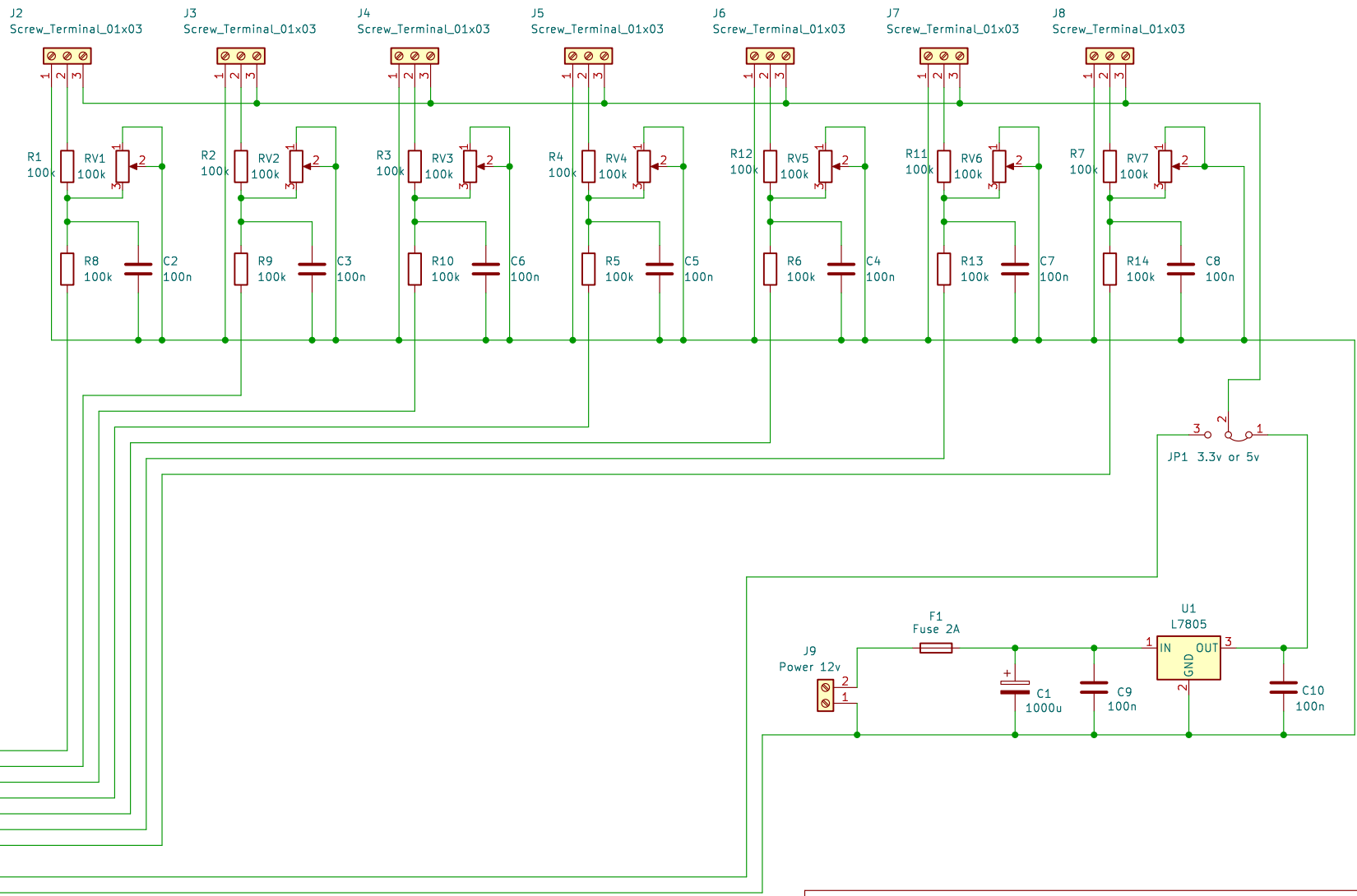


J1Conn - PicoIP Port P6/(JP5) ADC

- 1
- 2
- 3
- 4
- 5
- 6
- 7
- 8
- 9
- 10



Sheet: /  
File: PicoIP Port 6-JP5 ADC part.kicad\_sch

**Title:**

Size: A4  
KiCad E.D.A. 8.0.2

Date:

**Rev:**  
Id: 1/1